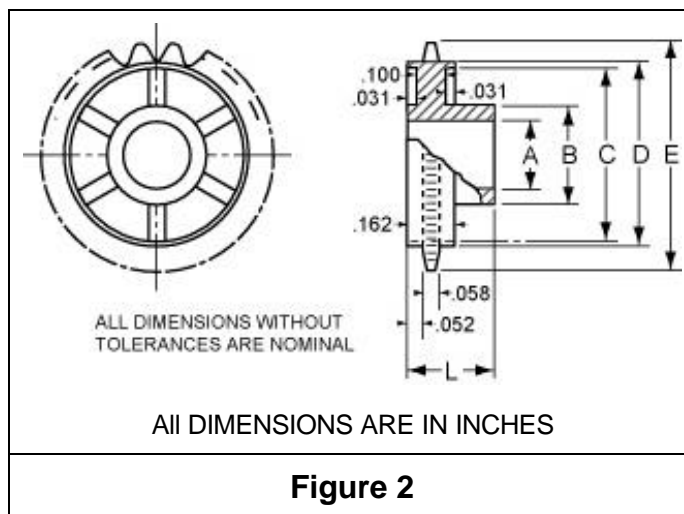
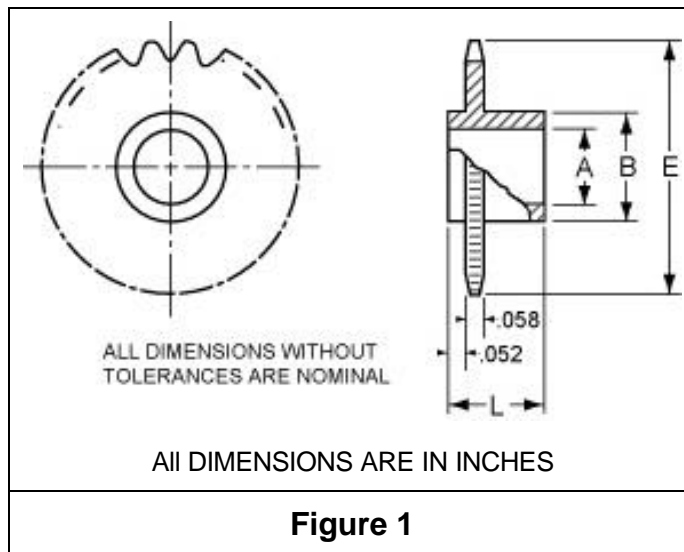


# SERV-O-LINK Corp.

## Sprocket & Chain Specifications

---

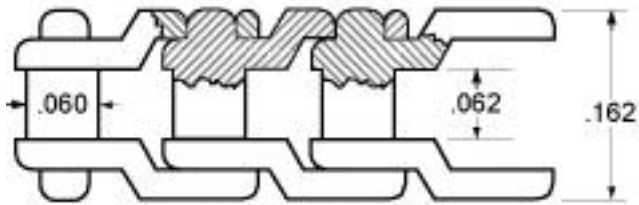
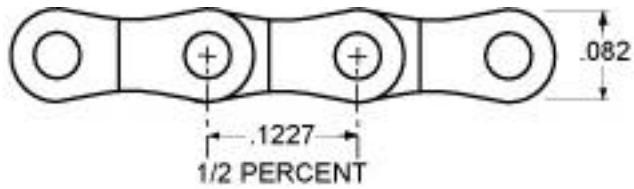


# SPROCKETS

TEETH	CATALOG NUMBERS				FIG.	SPOKES	DIMENSIONS (inches)						
	NOMINAL SHAFT HOLE A*						+0.000 -0.010 @ 75° F			NOMINAL			
	1/8	3/16	1/4	3/8			E	P.D.	ROOT	C	D	B**	L***
8	S082	....	....	....	1		0.371	0.318	0.258				
9	S092	....	....	....	1		0.409	0.356	0.296				
10	S102	S103	....	....	1		0.456	0.394	0.334				
12	S122	S123	S124	....	1		0.535	0.471	0.411				
15	S152	S153	S154	....	1		0.650	0.586	0.526				
16	S162	S163	S164	....	1		0.690	0.625	0.565				
18	S182	S183	S184	....	1		0.769	0.702	0.642				
20	S202	S203	S204	S206	1		0.848	0.780	0.720				
24	....	S243	S244	S246	2	6	1.005	0.934	0.874	0.746	0.846		
30	....	S303	S304	S306	2	6	1.239	1.167	1.107	0.979	1.079		
32	....	S323	S324	S326	2	6	1.318	1.246	1.186	1.058	1.158		
36	....	....	S364	S366	2	8	1.470	1.400	1.340	1.212	1.312		
40	....	....	S404	S406	2	8	1.628	1.554	1.494	1.366	1.466		
48	....	....	S484	S486	2	8	1.939	1.865	1.805	1.667	1.777		

\* Nominal shaft hole A is for press fit on given size shaft.  
 \*\* B = A + 0.125 for all except S082 where B = 0.236  
 \*\*\* L = 0.312 for shaft hole sizes 1/8, 3/16, & 1/4 ... L = 0.375 for shaft hole size 3/8

# CHAIN



ALL DIMENSIONS WITHOUT TOLERANCES ARE NOMINAL

ALL DIMENSIONS ARE IN INCHES

## MOMENTARY ELASTICITY TABLE

TENSION (OUNCES)	ELONGATION (PERCENT)
1	0.10
2	0.16
4	0.26
8	0.40
12	0.53
16	0.66
32	1.10
64	2.00

Catalog Number C1227